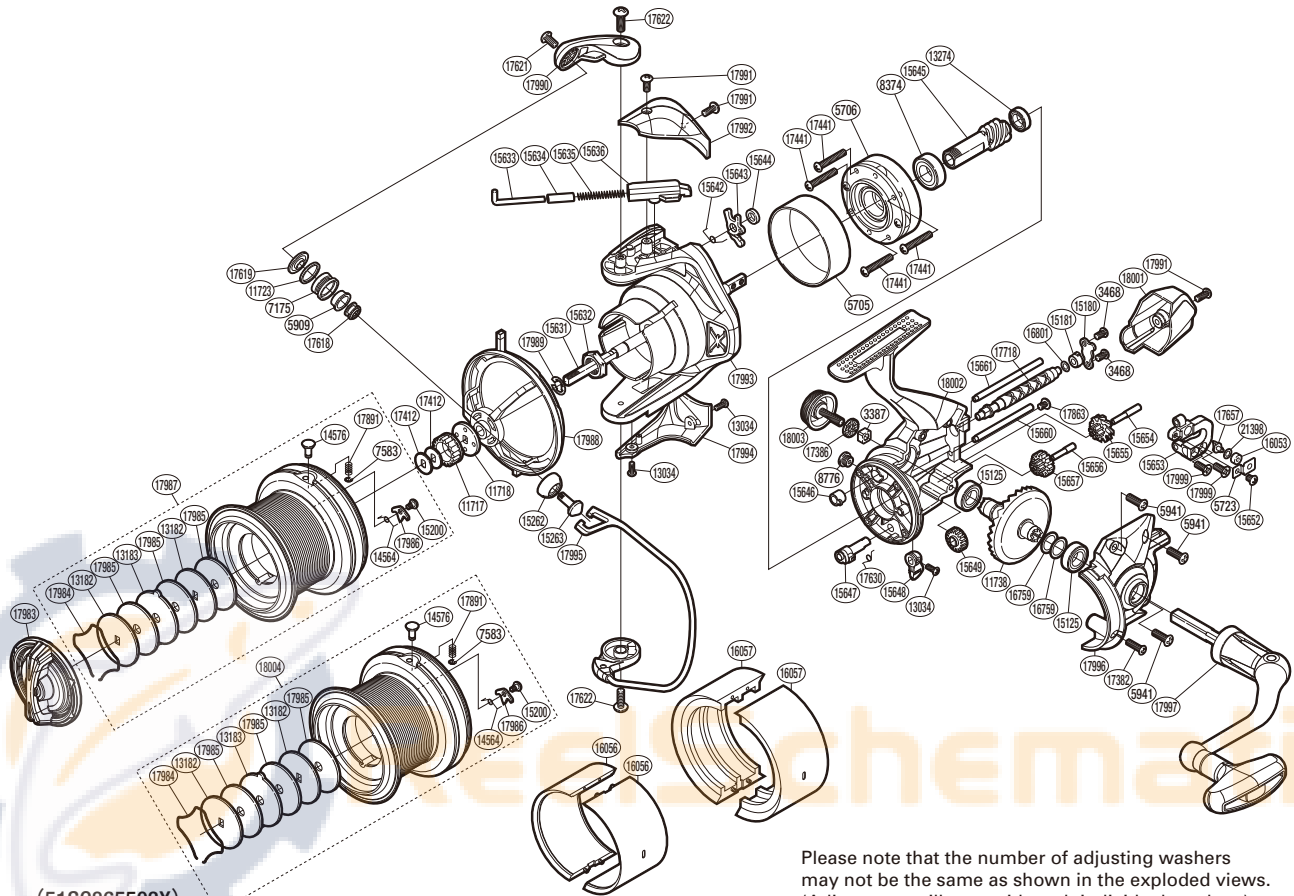


SHIMANO

ULTEGRA XTD S A-RB

ULT-5500XTD



(51SG865503X)

Please note that the number of adjusting washers may not be the same as shown in the exploded views. (Adjustment will vary with each individual product.)

Part No.	Description	Part No.	Description	Part No.	Description
RD 3387	Handle Screw Lock	RD15634	Bail Spring Guide A Support	RD17630	Anti-Reverse Cam Spring
RD 3468	Screw	RD15635	Bail Spring	RD17657	Oscillating Pawl
RD 5705	Roller Clutch Ring	RD15636	Bail Spring Guide B	RD17718	Worm Shaft
RD 5706	Roller Clutch Assembly	RD15642	Lever Spring	RD17863	Screw
RD 5723	Oscillating Pawl Cover	RD15643	Bail Trip Lever	RD17891	Line Clip Spring
RD 5909	Line Roller Bushing	RD15644	Washer	RD17983	Drag Knob
RD 5941	Screw	RD15645	Pinion Gear	RD17984	Drag Washers Retainer
RD 7175	Line Roller	RD15646	Worm Bushing (Front)	RD17985	Drag Washer
RD 7583	E Lock	RD15647	Anti-Reverse Cam	RD17986	Drag Click
RD 8374	Ball Bearing	RD15648	Anti-Reverse Lever	RD17987	Spool Assembly
RD 8776	Oil Cap	RD15649	Idle Gear	RD17988	Line Safety Guard Assembly
RD11717	Spool Support A	RD15652	Screw	RD17989	E Lock
RD11718	Spool Support B	RD15653	Oscillating Slider	RD17990	Bail Arm
RD11723	Line Roller Spacer	RD15654	Idle Gear B Shaft	RD17991	Screw
RD11738	Drive Gear	RD15655	Idle Gear B	RD17992	Bail Spring Cover
RD13034	Screw	RD15656	Idle Gear C Shaft	RD17993	Rotor
RD13182	Key Washer	RD15657	Idle Gear C	RD17994	Bail Hold Support Guard
RD13183	Eared Washer	RD15660	Oscillating Guide A	RD17995	Bail Assembly
RD13274	Ball Bearing	RD15661	Oscillating Guide B	RD17996	Side Cover
RD14564	Drag Click Spring	RD16053	Oscillating Slider Bushing	RD17997	Handle Assembly
RD14576	Line Clip	RD16759	Washer	RD17999	Screw
RD15125	Ball Bearing	RD16801	Washer	RD18001	Rear Protector
RD15180	Worm Shaft Retainer	RD17382	Screw	RD18002	Body
RD15181	Worm Bushing (Rear)	RD17386	Handle Screw Cap Spacer	RD18003	Handle Screw Cap
RD15200	Screw	RD17412	Spool Washer	RD21398	Washer
RD15262	Line Roller Support Cover	RD17441	Screw		
RD15263	Line Roller Support	RD17618	Line Roller Collar	RD18004	Spare Spool Assembly
RD15631	Main Shaft	RD17619	Line Roller Washer		
RD15632	Rotor Nut	RD17621	Screw	RD16056	Spool Economizer A (4500) (accessory)
RD15633	Bail Spring Guide A	RD17622	Screw	RD16057	Spool Economizer B (3500) (accessory)